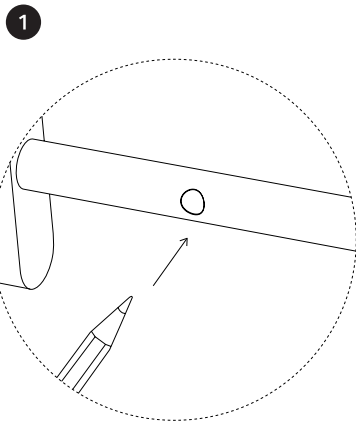
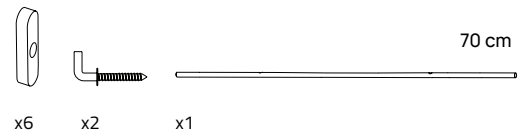
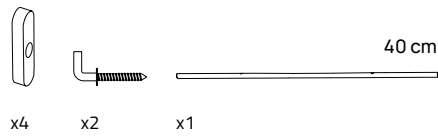


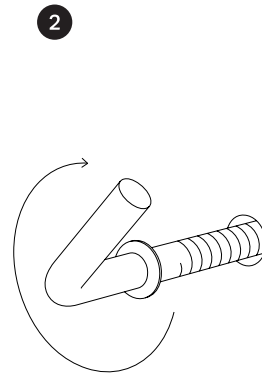
Coat Rack

Coat Rack consists of a single metal rod and four-six pegs. The pegs are slid onto the rod and their loose fitting allows them to be moved around as desired. The rod itself is attached to the wall by sliding it over two wall mounted L-hooks.

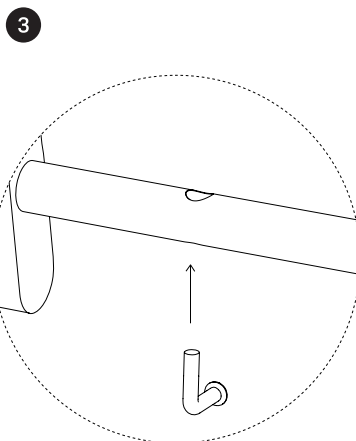
Coat Rack



1 Hold the rod against the wall, make sure it is leveled. Use the two holes to mark where to drill. After drilling, insert adequate wall plugs suited for you wall type.



2 Screw the L-hooks into the wall. Continue screwing until the discs cover the plugs.



3 Slide the coat rack down onto the L-hooks.

